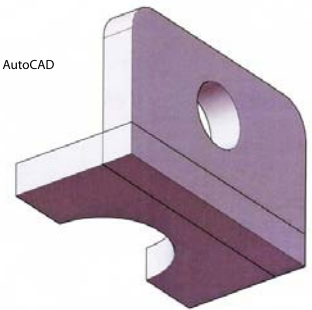


Basic 2D & 3D AutoCAD



ROD SUPPORT